



ADVANCE COMPONENTS AND INSTRUMENTS PVT. LTD.

Manufacturers of PLASTIC FILM CAPACITORS

Registered Office & Factory :
3A-3A/1, Belavadi Indl.Area, Mysore - 570 018. INDIA



ISO 9001 : 2015
ISO 13485 : 2016

Phone : +91 821 2402307, 2402301, 2403058

E-mail : enquiries@advancecapacitors.com
advcaps@gmail.com

Website : www.advance-capacitors.com

GSTIN : 29AABCA1720D1ZA

POWER FACTOR CORRECTION CAPACITORS

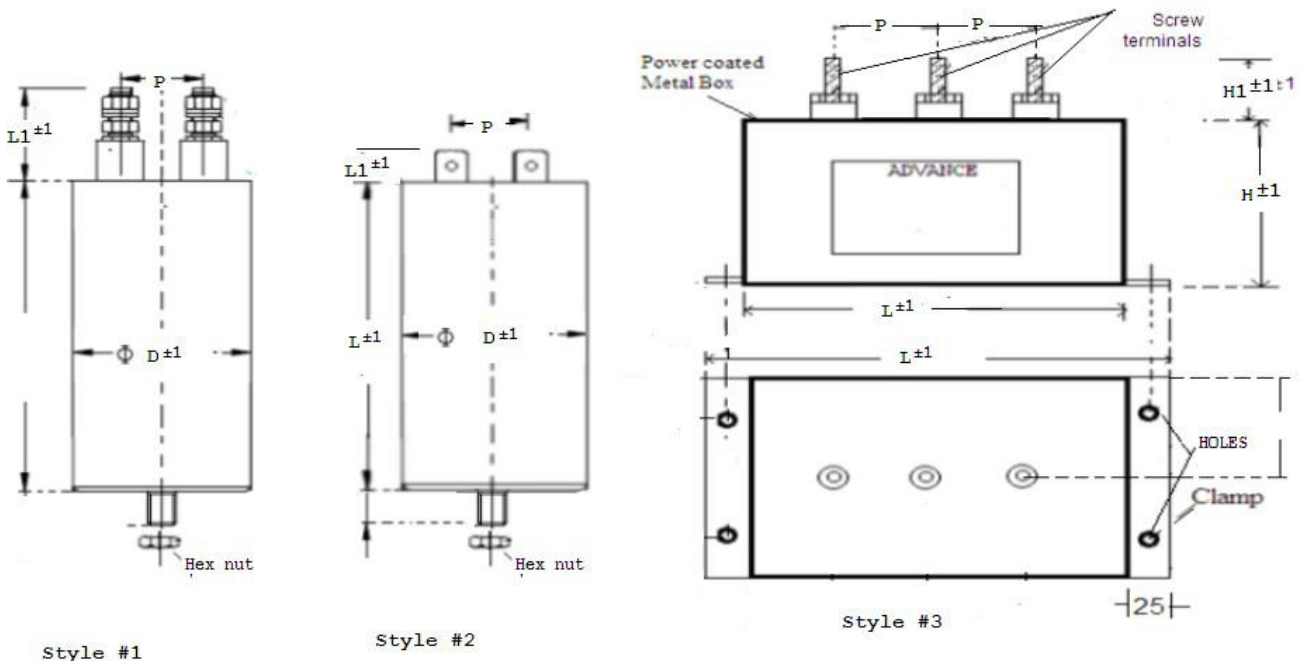
Advance KVAR capacitors are specially developed for Power Factor correction in Industrial applications. These are available in Single-phase and three-phase with 250Vac and 440Vac voltage ratings.

Dielectric	: Metallised Polypropylene Film
Technology	: Dry type, self-healing and non-inductive
Application	: AC capacitor for Power factor correction
Construction	: Aluminium Can or Metal box filled with thermosetting epoxy resin
Terminals (2)	: Solderable Tag or flexible Wire or screw terminals with PP Bush
Mounting	: Bottom stud with nut (optional)
Standard reference	: IS 13340 (Part-1): 2012

Technical Specifications:

Rated Voltage	: 250Vac and 440Vac
Rated Frequency	: 50 Hz
Capacitance tolerance	: $\pm 5\%$ and $\pm 10\%$
Test Voltage T/T	: 2.15 times the rated AC voltage
Test Voltage T/C	: 3kVAC
Life Expectancy	: 1,000 hours with proper derating
Storage temperature	: -50°C to $+85^{\circ}\text{C}$
Operating temperature	: -40°C to $+85^{\circ}\text{C}$
Climatic Category	: 50/85/56
Number of switching operations	: 5000 switching/year as per IEC 60831

Drawings:



Style #1

Style #2

Style #3

Style #4



ADVANCE COMPONENTS AND INSTRUMENTS PVT. LTD.

Manufacturers of PLASTIC FILM CAPACITORS

Registered Office & Factory :
3A-3A/1, Belavadi Indl.Area, Mysore - 570 018. INDIA



Phone : +91 821 2402307, 2402301, 2403058

E-mail : enquiries@advancecapacitors.com
advcaps@gmail.com

Website : www.advance-capacitors.com

GSTIN : 29AABCA1720D1ZA

Single-Phase Capacitors

250Vac, 50Hz							
Type	Output KVAR	Irms in A	Capacitance in μ F	D in mm	L in mm	Style	
MKP-S-0.5	0.5	2.2	25.5	45	90	Style #1 or #2	
MKP-S-0.7	0.7	3.1	35.5	45	100	Style #1 or #2	
MKP-S-1.0	1	4.4	51	50	100	Style #1 or #2	
MKP-S-1.5	1.5	6.6	76.5	54	120	Style #1 or #2	
MKP-S-2.0	2	8.8	102	63.5	140	Style #1 or #2	
MKP-S-2.5	2.5	11	127.5	63.5	140	Style #1 or #2	
MKP-S-3.0	3	13.2	153	75	120	Style #1 or #2	
MKP-S-4.0	4	17.7	204	90	130	Style #1	
MKP-S-5.0	5	22	255	75	248	Style #1	
MKP-S-7.5	7.5	33	382	90	248	Style #1	
MKP-S-10.0	10	44	510	95	248	Style #1	
440Vac, 50Hz							
Type	Output KVAR	Irms in A	Capacitance in μ F	D or W mm	L in mm	H in mm	Style
MKP-S-0.5	0.5	1.3	8.25	50	60	--	Style #1 or #2
MKP-S-0.7	0.7	1.8	11.5	50	100	--	Style #1 or #2
MKP-S-1.0	1	2.5	16.5	50	100	--	Style #1 or #2
MKP-S-1.5	1.5	3.8	25	63.5	110	--	Style #1 or #2
MKP-S-2.0	2	5	33	75	120	--	Style #1
MKP-S-2.5	2.5	6.3	41.5	50	125	135	Style #3
MKP-S-3.0	3	7.5	49.5	50	125	135	Style #3
MKP-S-4.0	4	10	66	50	125	145	Style #3
MKP-S-5.0	5	12.5	82.5	75	248	--	Style #1
MKP-S-7.5	7.5	19	123.5	75	248	--	Style #1
MKP-S-10.0	10	25	164.5	90	248	---	Style #1

Three-Phase capacitors

250Vac, 50Hz							
Type	Output KVAR	Irms in A	Capacitance in μ F	D or W mm	L in mm	Style	
MKP-D-1.0	1	3.9	17*3	60	137	Style #4	
MKP-D-2.0	2	7.8	34*3	65	200	Style #4	
MKP-D-3.0	3	11.6	51*3	75	248	Style #4	
MKP-D-4.0	4	15.5	68*3	75	248	Style #4	
440Vac, 50Hz							
Type	Output KVAR	Irms in A	Capacitance in μ F	D in mm	L in mm	H in mm	Style
MKP-D-1.0	1	1.3	5.5*3	60	137		Style #4
MKP-D-5.0	5	6.3	27.5*3	55	150	135	Style #3
MKP-D-10.0	10	12.5	55*3	105	150	135	Style #3