

CC-1 Conduction Cooled Capacitors

CC-1 series Conduction Cooled Capacitors are high current, high power resonant capacitors with Copper blocks as the terminals.

Specifications:

Capacitance	: 0.025 μ F to 5 μ F
Rated Voltage	: up to 1000Vrms
Dielectric	: Metallised Polypropylene Film
Max current	: up to 1200 Arms
Working frequency	: up to 1414kHz
Max Power Rating	: up to 600KVAR
Temperature Range	: -40°C to +85°C
Standard reference	: IEC 61071



CC1-300-AN Series Conduction Cooled capacitors

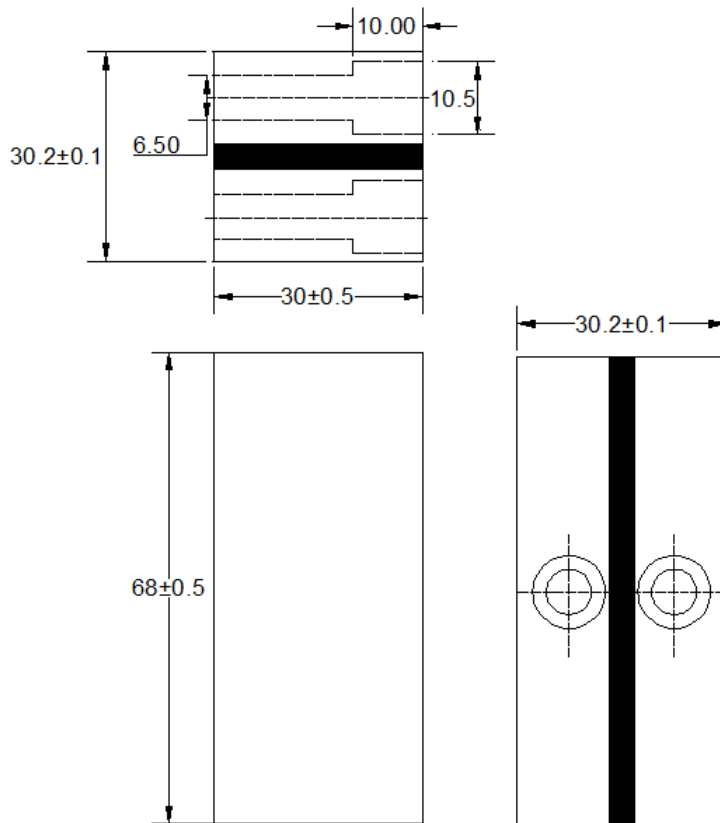
Specifications

- ☒ Polypropylene Dielectric
- ☒ Self- Healing
- ☒ Working frequency upto 478 kHz
- ☒ Flame Retardant UL94V0, RoHS compliant
- ☒ Conduction Cooled
- ☒ Non Polar
- ☒ Suitable for High Frequencies
- ☒ High Current

Capacitance	Tolerance	Rated Voltage	Max. Current	Max. Power	Max. Working Frequency
$\mu\text{F @ 1kHz}$	%	Vrms	Irms	kvar	kHz
0.1	10	1000	300	300	478
0.17	10	1000	300	300	281
0.33	10	800	400	300	256
0.5	10	800	400	300	170
0.66	10	700	450	300	163
1.33	10	600	500	300	99
2.40	10	500	600 <td>300</td> <td>79</td>	300	79

Note: Other capacitance & current rating , custom made capacitors available on request

Drawing All Dimensions are in mm , unspecified tolerances $\pm 0.5\text{mm}$ Not to scale



CC1-200-AN / AT Series Conduction Cooled capacitors

Specifications

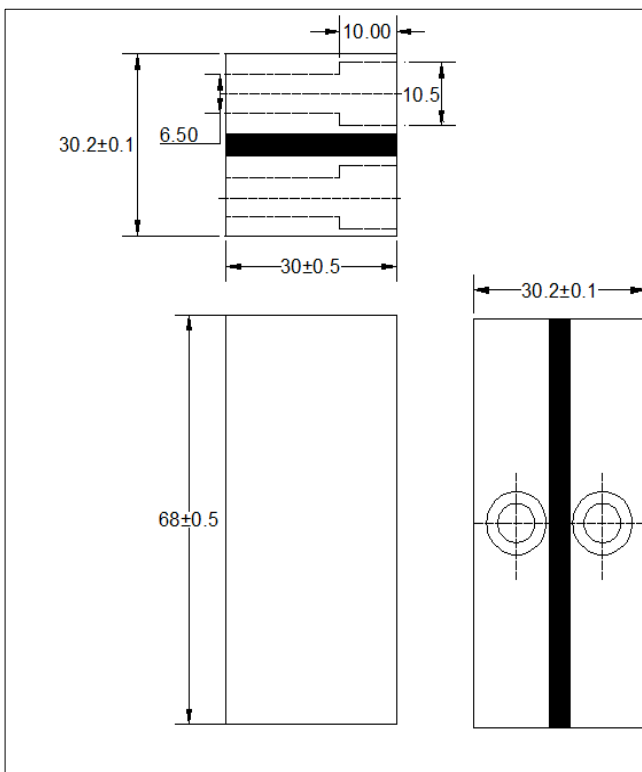
- ☒ Polypropylene Dielectric
- ☒ Self- Healing
- ☒ Working frequency upto 994 kHz
- ☒ Flame Retardant UL94V0, RoHS compliant
- ☒ Conduction Cooled
- ☒ Non Polar
- ☒ Suitable for High Frequencies
- ☒ High Current

Capacitance	Tolerance	Rated Voltage	Max. Current	Max. Power	Max. Working Frequency
μF @ 1kHz	%	Vrms	Irms	kvar	kHz
0.05	10	1000	250	200	994
0.1	10	1000	250	200	498
0.17	10	900	300	200	422
0.25	10	800	300	200	286
0.33	10	800	300	200	216
0.50	10	800	350	200	194
0.66	10	700	400	200	193
1.20	10	600	450	200	134
1.33	10	600	450	200	120
2.40	10	450	500	200	85

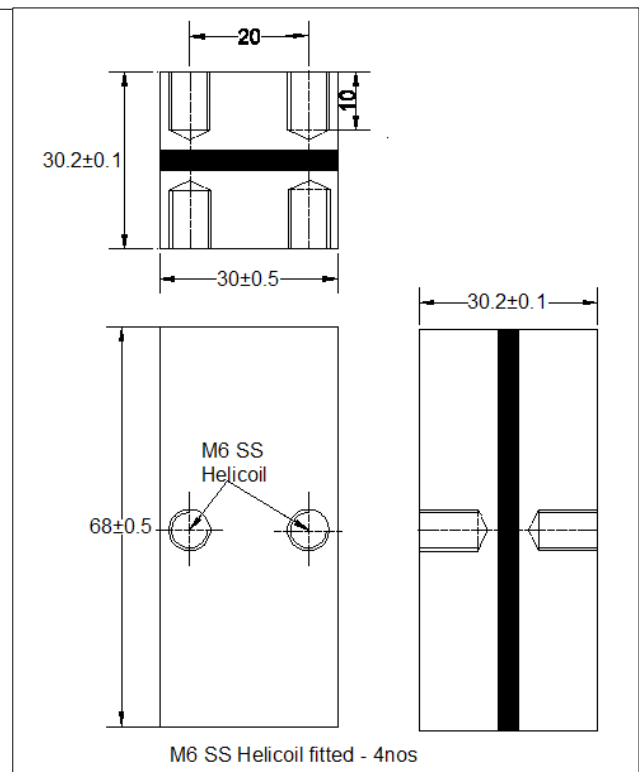
Note: Other capacitance & current rating , custom made capacitors available on request

Drawing All Dimensions are in mm , unspecified tolerances $\pm 0.5\text{mm}$ Not to scale

CC1-200-AN



CC1-200-AT



CC1-150-AN / AT Series Conduction Cooled capacitors

Specifications

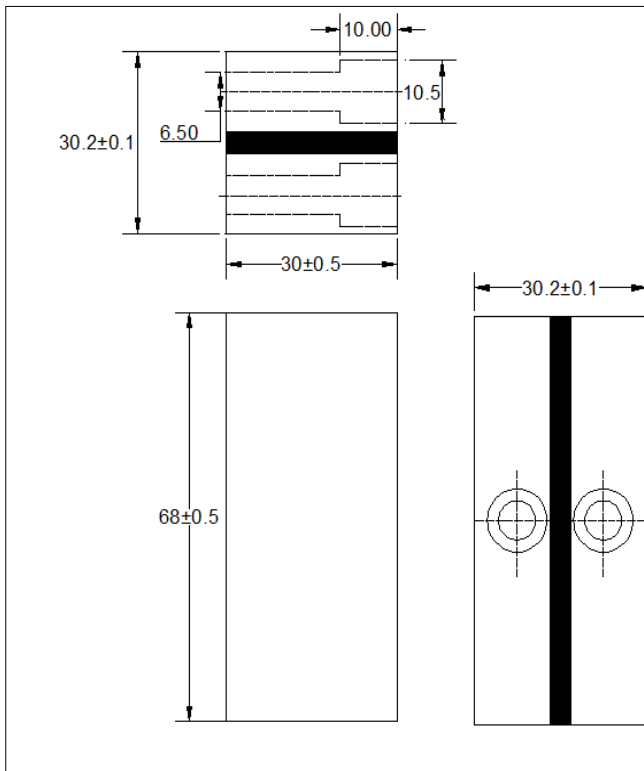
- ☒ Polypropylene Dielectric
- ☒ Self- Healing
- ☒ Working frequency upto 700 kHz
- ☒ Flame Retardant UL94V0, RoHS compliant
- ☒ Conduction Cooled
- ☒ Non Polar
- ☒ Suitable for High Frequencies
- ☒ High Current

Capacitance	Tolerance	Rated Voltage	Max. Current	Max. Power	Max. Working Frequency
μF @ 1kHz	%	Vrms	Irms	kvar	kHz
0.05	10	1000	200	150	700
0.10	10	1000	200	150	423
0.17	10	700	250	150	389
0.25	10	700	250	150	265
0.33	10	700	250	150	200
0.50	10	700	250	150	132
0.66	10	600	300	150	145
1.20	10	500	300	150	80
1.33	10	500	300	150	72
2.40	10	400	400	150	75

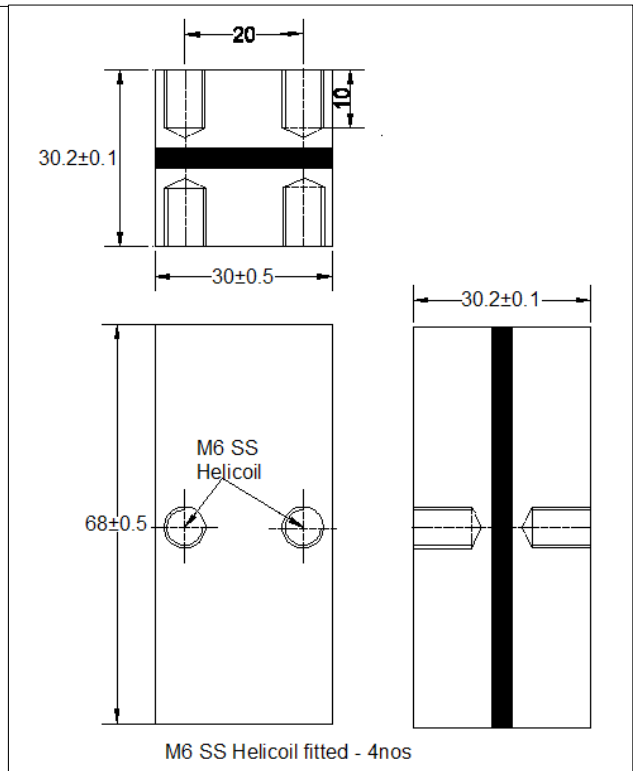
Note: Other capacitance & current rating , custom made capacitors available on request

Drawing All Dimensions are in mm , unspecified tolerances ±0.5mm Not to scale

CC1-150-AN



CC1-150-AT



CC1-600-B Series Conduction Cooled capacitors

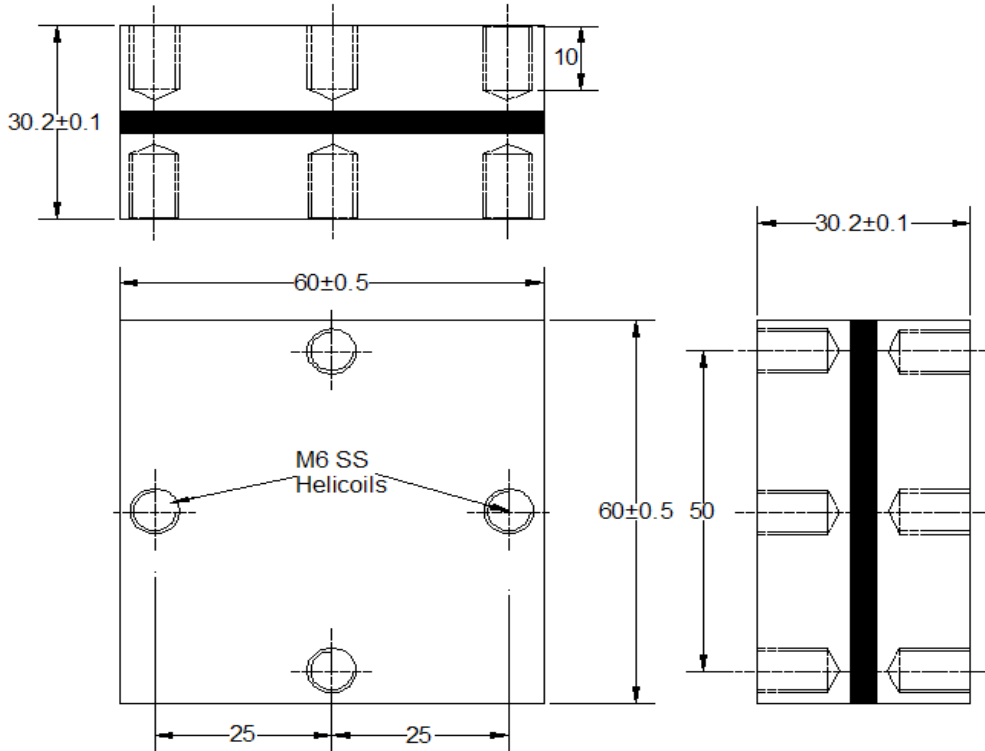
Specifications

- ☒ Polypropylene Dielectric
- ☒ Self- Healing
- ☒ Working frequency upto 290 kHz
- ☒ Flame Retardant UL94V0, RoHS compliant
- ☒ Conduction Cooled
- ☒ Non Polar
- ☒ Suitable for High Frequencies
- ☒ High Current

Capacitance	Tolerance	Rated Voltage	Max. Current	Max. Power	Max. Working Frequency
μF @ 1kHz	%	Vrms	Irms	kvar	kHz
0.33	10	1000	600	600	290
0.50	10	800	750	600	299
0.66	10	800	750	600	226
1.33	10	700	950	600	179
2.60	10	600	1050	600	112
5.00	10	500	1200	600	76

Note: Other capacitance & current rating , custom made capacitors available on request

Drawing All Dimensions are in mm , unspecified tolerances ±0.5mm Not to scale



M6 SS Helicoil fitted - 8nos

CC1-300-C Series Conduction Cooled capacitors

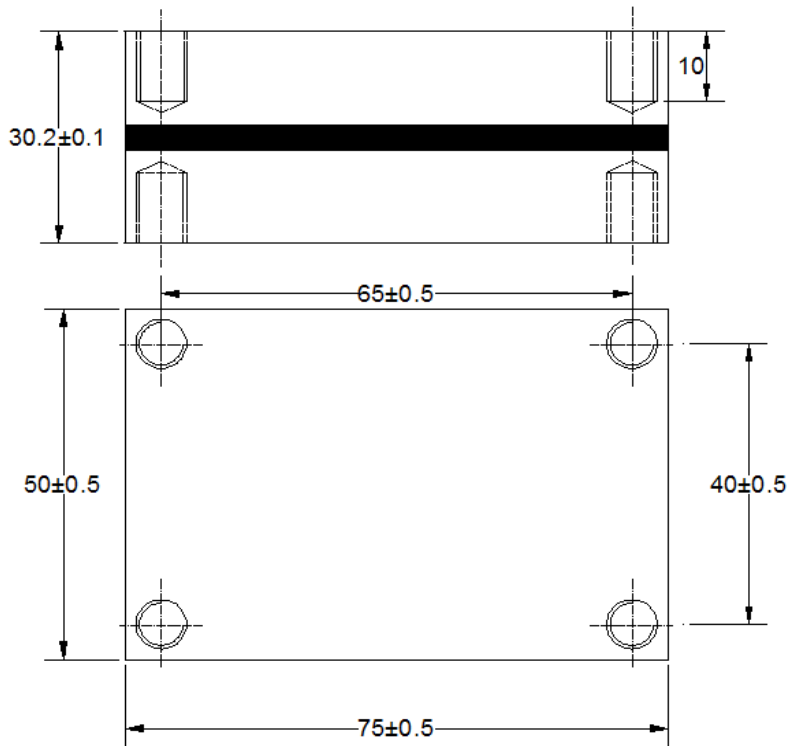
Specifications

- ☒ Polypropylene Dielectric
- ☒ Self- Healing
- ☒ Working frequency upto 649 kHz
- ☒ Flame Retardant UL94V0, RoHS compliant
- ☒ Conduction Cooled
- ☒ Non Polar
- ☒ Suitable for High Frequencies
- ☒ High Current

Capacitance	Tolerance	Rated Voltage	Max. Current	Max. Power	Max. Working Frequency
μF @ 1kHz	%	Vrms	Irms	kvar	kHz
0.10	10	1000	350	300	649
0.20	10	1000	400	300	423
0.33	10	700	500	300	401
0.66	10	700	500	300	200
1.00	10	600	650	300	223
1.32	10	600	650	300	170
2.60	10	500	650	300	85
5.00	10	400	800	300	67

Note: Other capacitance & current rating , custom made capacitors available on request

Drawing All Dimensions are in mm , unspecified tolerances ±0.5mm Not to scale



M6 tap- 8nos

CC1-400-B Series Conduction Cooled capacitors

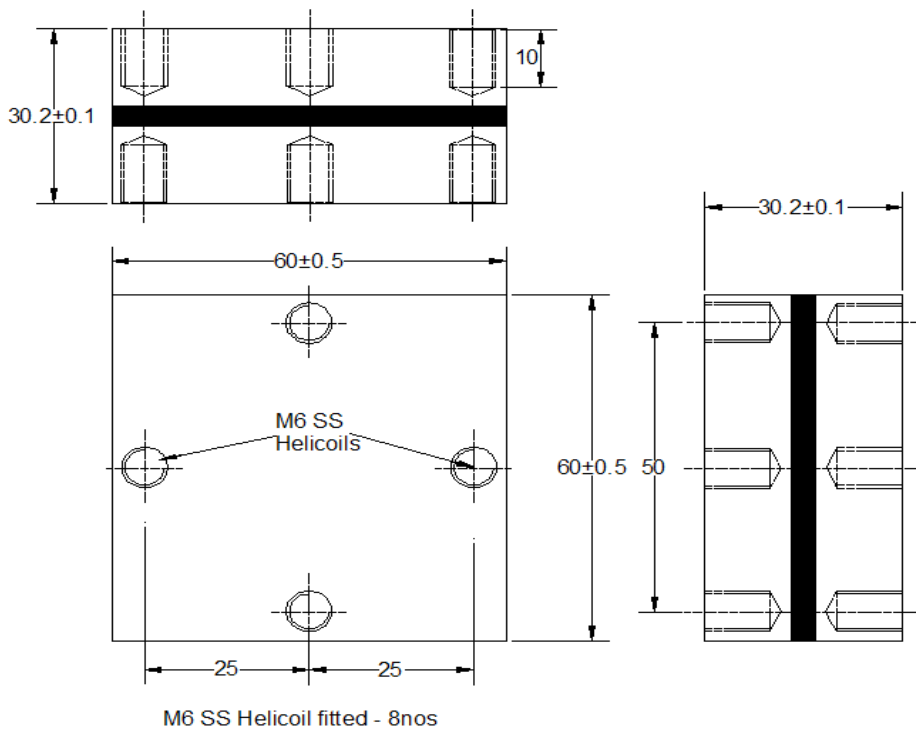
Specifications

- ☒ Polypropylene Dielectric
- ☒ Self- Healing
- ☒ Working frequency upto 649 kHz
- ☒ Flame Retardant UL94V0, RoHS compliant
- ☒ Conduction Cooled
- ☒ Non Polar
- ☒ Suitable for High Frequencies
- ☒ High Current

Capacitance	Tolerance	Rated Voltage	Max. Current	Max. Power	Max. Working Frequency
μF @ 1kHz	%	Vrms	Irms	kvar	kHz
0.33	10	1000	600	400	433
0.66	10	1000	600	400	216
1.20	10	900	850	400	215
1.32	10	900	850	400	215
2.60	10	700	950	400	138
5.00	10	500	1000	400	80

Note: Other capacitance & current rating , custom made capacitors available on request

Drawing All Dimensions are in mm , unspecified tolerances ±0.5mm Not to scale





CC1-300-B Series Conduction Cooled capacitors

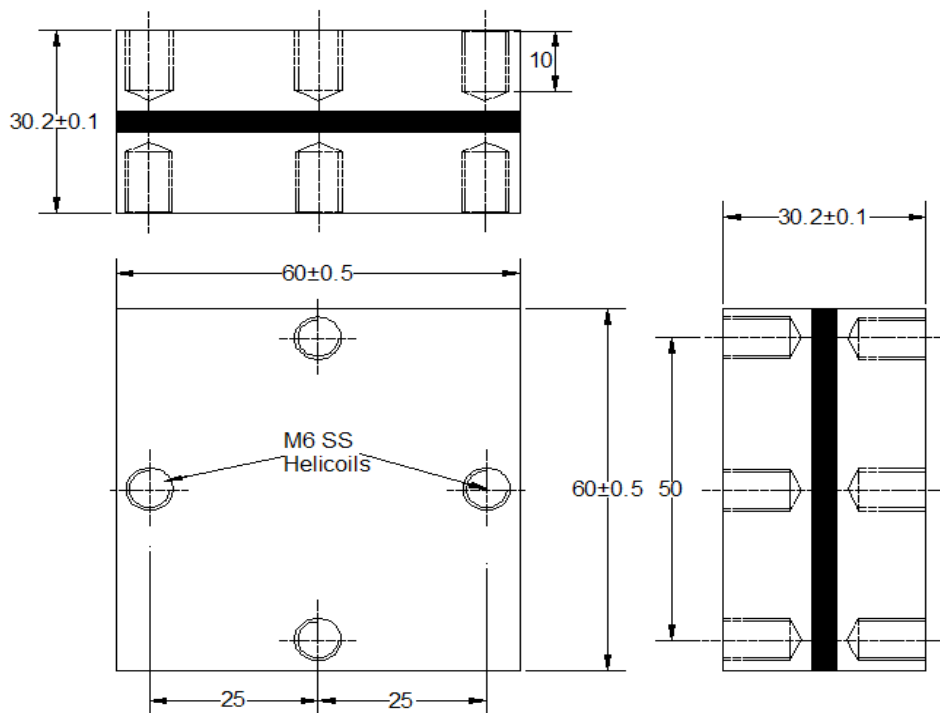
Specifications

- ☒ Polypropylene Dielectric
- ☒ Self- Healing
- ☒ Working frequency upto 649 kHz
- ☒ Flame Retardant UL94V0, RoHS compliant
- ☒ Conduction Cooled
- ☒ Non Polar
- ☒ Suitable for High Frequencies
- ☒ High Current

Capacitance	Tolerance	Rated Voltage	Max. Current	Max. Power	Max. Working Frequency
μF @ 1kHz	%	Vrms	Irms	kvar	kHz
0.10	10	1000	350	300	649
0.20	10	1000	400	300	423
0.25	10	700	500	300	530
0.33	10	700	500	300	401
0.66	10	700	500	300	200
1.00	10	600	650	300	223
1.20	10	600	650	300	187
1.32	10	600	650	300	170
2.40	10	500	650	300	97
2.60	10	500	650	300	85
5.00	10	400	800	300	67

Note: Other capacitance & current rating , custom made capacitors available on request

Drawing All Dimensions are in mm , unspecified tolerances $\pm 0.5\text{mm}$ Not to scale



M6 SS Helicoil fitted - 8nos



CC1-180-C Series Conduction Cooled capacitors

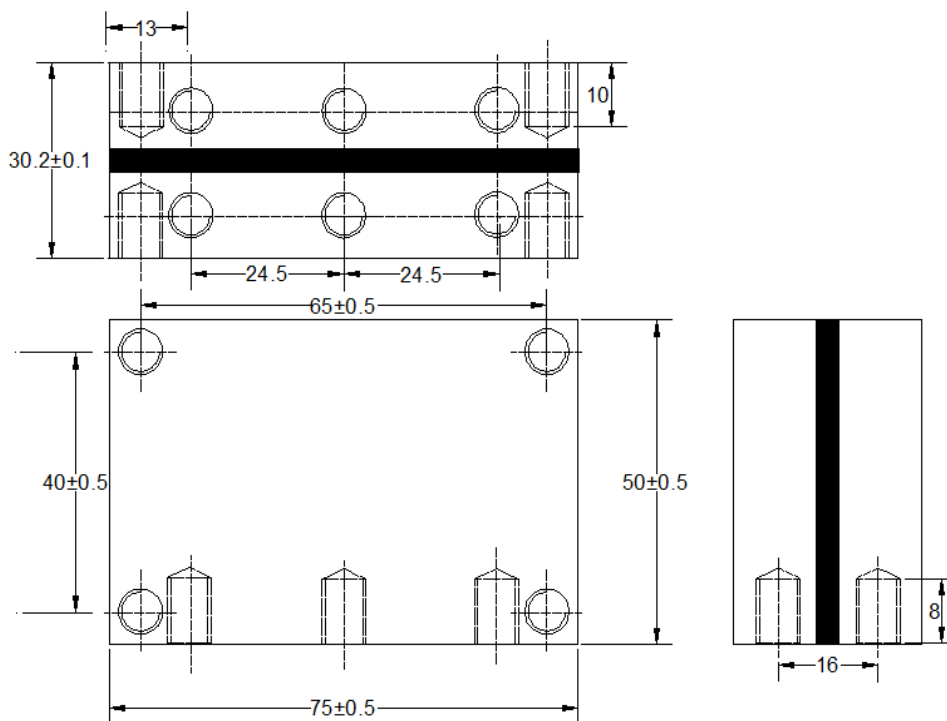
Specifications

- ☒ Polypropylene Dielectric
- ☒ Self- Healing
- ☒ Working frequency upto 601 kHz
- ☒ Flame Retardant UL94V0, RoHS compliant
- ☒ Conduction Cooled
- ☒ Non Polar
- ☒ Suitable for High Frequencies
- ☒ High Current

Capacitance	Tolerance	Rated Voltage	Max. Current	Max. Power	Max. Working Frequency
μF @ 1kHz	%	Vrms	Irms	kvar	kHz
0.18	10	700	350	180	601
0.24	10	700	400	180	549
0.33	10	700	350	180	279
0.66	10	700	450	180	270
1.20	10	600	500	180	183
2.40	10	500	500	180	91
5.00	10	400	600	180	63

Note: Other capacitance & current rating , custom made capacitors available on request

Drawing All Dimensions are in mm , unspecified tolerances $\pm 0.5\text{mm}$ Not to scale



M6 SS helicoil fitted 10nos



CC1-200-D Series Conduction Cooled capacitors

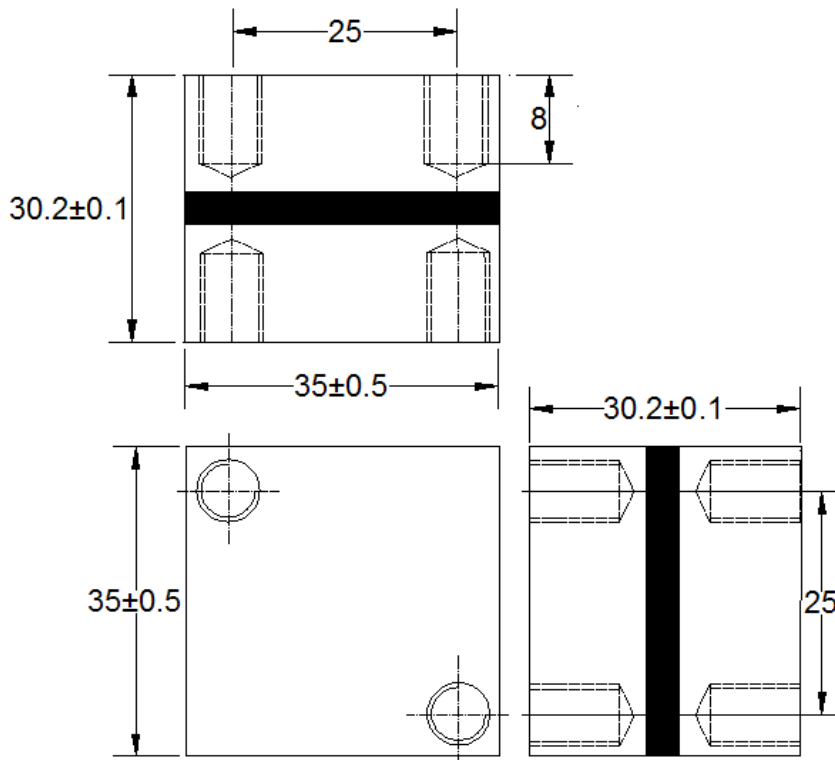
Specifications

- ☒ Polypropylene Dielectric
- ☒ Self- Healing
- ☒ Working frequency upto 1414 kHz
- ☒ Flame Retardant UL94V0, RoHS compliant
- ☒ Conduction Cooled
- ☒ Non Polar
- ☒ Suitable for High Frequencies
- ☒ High Current

Capacitance	Tolerance	Rated Voltage	Max. Current	Max. Power	Max. Working Frequency
μF @ 1kHz	%	Vrms	Irms	kvar	kHz
0.025	10	1100	200	180	1414
0.050	10	1000	200	180	706
0.085	10	1000	200	200	374
0.100	10	900	250	200	501
0.170	10	900	250	200	294
0.250	10	800	270	200	231
0.330	10	700	300	200	217
0.660	10	600	350	200	148
1.200	10	500	400	200	106

Note: Other capacitance & current rating , custom made capacitors available on request

Drawing All Dimensions are in mm , unspecified tolerances $\pm 0.5\text{mm}$ Not to scale



M6 SS Helicoil fitted - 4nos