

AC-1 Conduction Cooled Capacitors

AC-1 series Conduction Cooled Capacitors are high current, high power resonant capacitors with Aluminum blocks as the terminals.

Specifications:

Capacitance	: 0.05 μ F to 2.4 μ F
Rated Voltage	: up to 1000Vrms
Dielectric	: Metallised Polypropylene Film
Max current	: up to 600 Arms
Working frequency	: up to 994kHz
Max Power Rating	: up to 300KVAR
Temperature Range	: -40°C to +85°C
Standard reference	: IEC 61071



AC1-300-A Series Conduction Cooled capacitors

Specifications

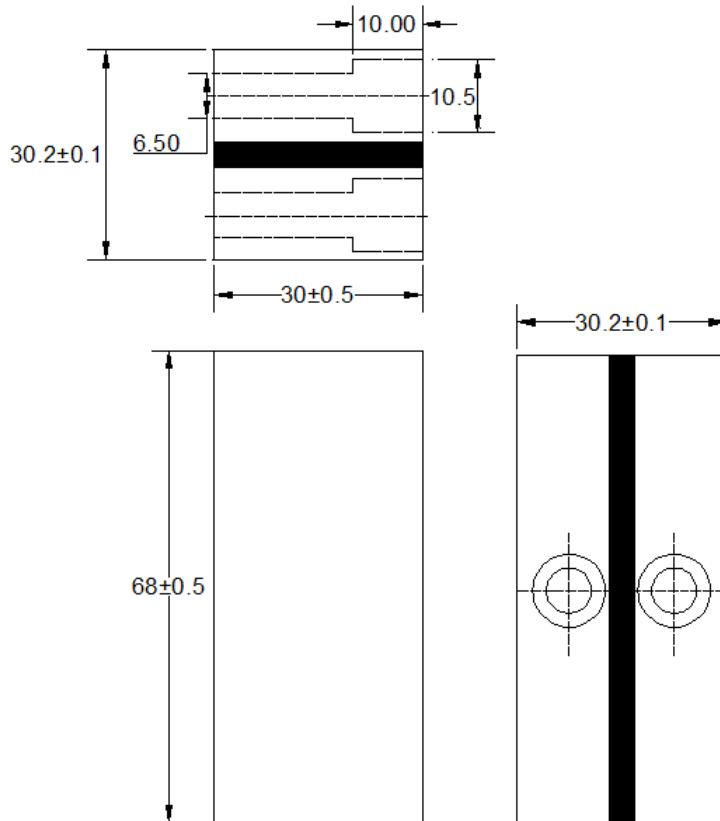
- ☒ Polypropylene Dielectric
- ☒ Self- Healing
- ☒ Working frequency upto 478 kHz
- ☒ Flame Retardant UL94V0, RoHS compliant
- ☒ Aluminium Conduction Cooled
- ☒ Non Polar
- ☒ Suitable for Intermediate Duty cycle

Capacitance	Tolerance	Rated Voltage	Max. Current	Max. Power	Max. Working Frequency
$\mu\text{F @ 1kHz}$	%	Vrms	Irms	kvar	kHz
0.10	10	1000	300	300	478
0.17	10	1000	300	300	281
0.33	10	800	400	300	256
0.50	10	800	400	300	170
0.66	10	700	450	300	163
1.33	10	600	500	300	99
2.40	10	500	600	300	79

Capacitors designed for only intermittent duty cycle (30 Sec ON , 60 Sec OFF)

Note: Other capacitance & current rating , custom made capacitors available on request

Drawing All Dimensions are in mm , unspecified tolerances $\pm 0.5\text{mm}$ Not to scale



AC1-200-AN / AT Series Conduction Cooled capacitors

Specifications

- ☒ Polypropylene Dielectric
- ☒ Self- Healing
- ☒ Working frequency upto 994 kHz
- ☒ Flame Retardant UL94V0, RoHS compliant
- ☒ Aluminium Conduction Cooled
- ☒ Non Polar
- ☒ Suitable for Intermediate Duty cycle

Capacitance	Tolerance	Rated Voltage	Max. Current	Max. Power	Max. Working Frequency
$\mu\text{F @ 1kHz}$	%	Vrms	Irms	kvar	kHz
0.05	10	1000	250	200	994
0.1	10	1000	250	200	498
0.17	10	900	300	200	422
0.25	10	800	300	200	286
0.33	10	800	300	200	216
0.50	10	800	350	200	194
0.66	10	700	400	200	193
1.20	10	600	450	200	134
1.33	10	600	450	200	120
2.40	10	450	500	200	85

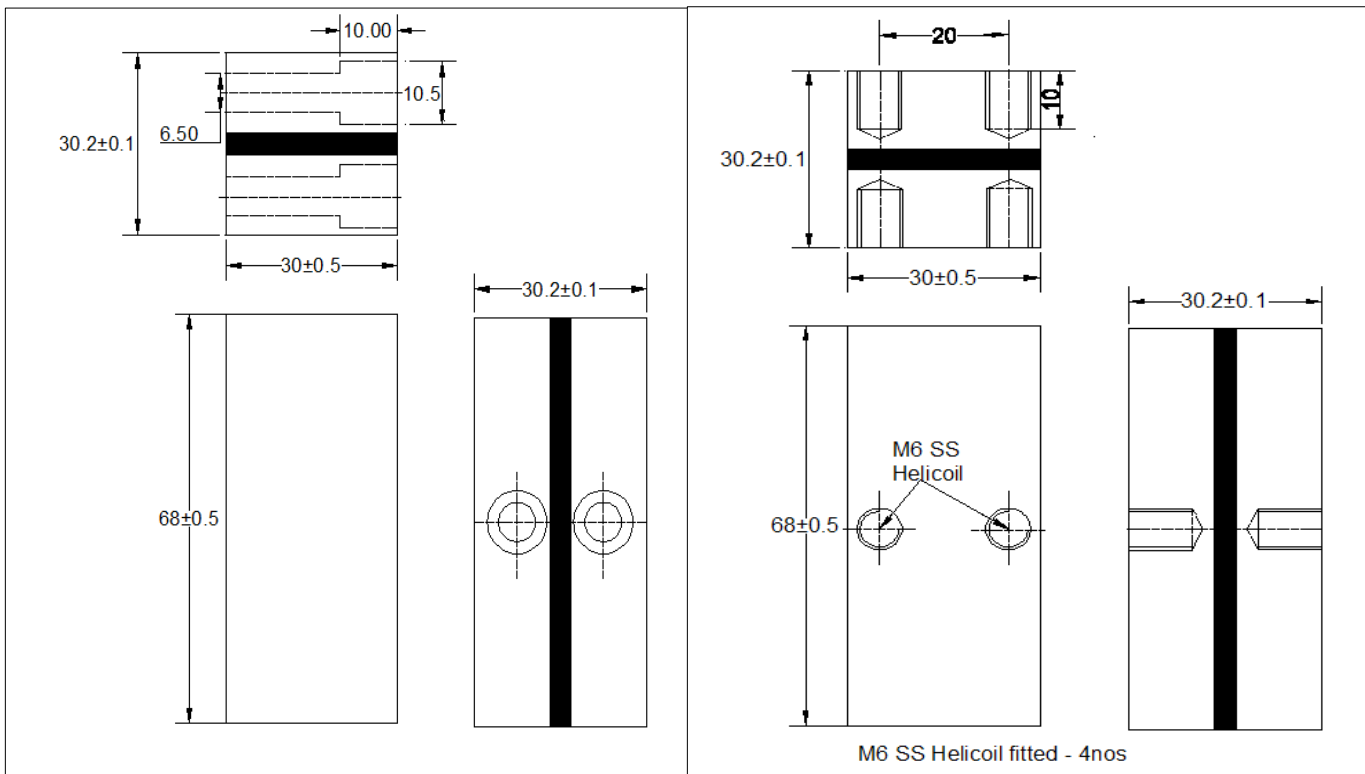
Capacitors designed for only intermittent duty cycle (30 Sec ON , 60 Sec OFF)

Note: Other capacitance & current rating , custom made capacitors available on request

Drawing All Dimensions are in mm , unspecified tolerances $\pm 0.5\text{mm}$ Not to scale

AC1-200-AN

AC1-200-AT



AC1-150-AN / AT Series Conduction Cooled capacitors

Specifications

- ☒ Polypropylene Dielectric
- ☒ Self- Healing
- ☒ Working frequency upto 700 kHz
- ☒ Flame Retardant UL94V0, RoHS compliant
- ☒ Aluminium Conduction Cooled
- ☒ Non Polar
- ☒ Suitable for Intermediate Duty cycle

Capacitance	Tolerance	Rated Voltage	Max. Current	Max. Power	Max. Working Frequency
μF @ 1kHz	%	Vrms	Irms	kvar	kHz
0.05	10	1000	200	150	700
0.10	10	1000	200	150	423
0.17	10	700	250	150	389
0.25	10	700	250	150	265
0.33	10	700	250	150	200
0.50	10	700	250	150	132
0.66	10	600	300	150	145
1.20	10	500	300	150	80
1.33	10	500	300	150	72
2.40	10	400	400	150	75

Capacitors designed for only intermittent duty cycle (30 Sec ON , 60 Sec OFF)

Note: Other capacitance & current rating , custom made capacitors available on request

Drawing All Dimensions are in mm , unspecified tolerances $\pm 0.5\text{mm}$ Not to scale

AC1-150-AN

AC1-150-AT

