



ADVANCE COMPONENTS AND INSTRUMENTS PVT. LTD.

Manufacturers of PLASTIC FILM CAPACITORS

Registered Office & Factory:

3A-3A/1, Belavadi Indl. Area, Mysore-570 018. INDIA ISO 9001:2008



Phone : +91 821 2402307, 2402301

Fax : +91 821 2403058

E-mail : enquiries@advancecapacitors.com

advcaps@gmail.com

Website: www.advance-capacitors.com

GENERAL :

- ◆ Non Polar
- ◆ Low Losses
- ◆ Low ESR
- ◆ Self Healing
- ◆ High Insulation Resistance
- ◆ Good High Frequency Stability
- ◆ High Stability
- ◆ Negative ppm
- ◆ Non Inductive

APPLICATIONS :

- ◆ Requiring Precision Capacitors
- ◆ Measuring Instruments
- ◆ Telephone Systems
- ◆ High Frequency Applications
- ◆ Timing Circuits
- ◆ L-C Filters
- ◆ Sample & Hold Circuits

STYLES :

Type : MKP-5 : Cylindrical, Tape wrap, Axial Lead
: MKP-4 : Rectangular, Box encased, Radial Lead

STANDARDS : IEC-384-16

SPECIFICATIONS :

Temperature Range : -55 °C to +100 °C
Tan Delta (C < 1uf) : 0.0005 at 1 KHz
Insulation Resistance : 30,000 MΩ*μF
at 100 V DC : 60,000 MΩ max.
Test Voltage : 1.6 times rated DC Voltage
Climatic Category : 55/100/56
Voltage Derating : 1.5% per C above 85° C
Tolerance : ±1%, ±2%, ±5%, ±10%
Pulse Rise Time : 5 to 25 V/microsecond
Stability : < 0.5% over 2 Years

Advance Components & Instruments Pvt. Limited

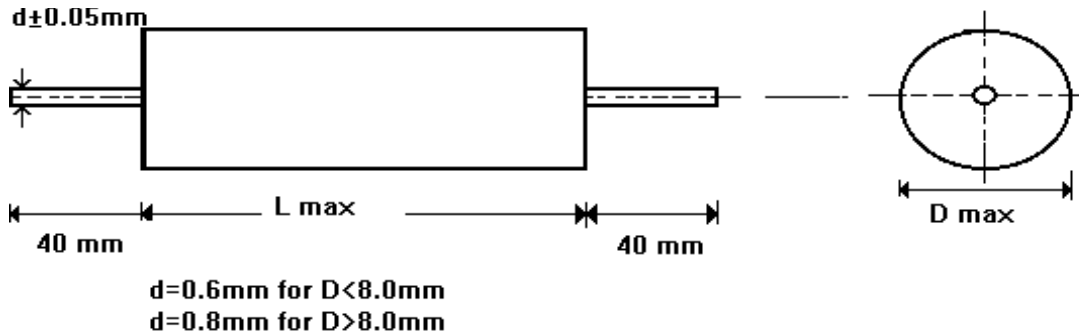
Reg. Office & Factory : 3A Belavadi Industrial Area, Mysore – 570 018

Phone: +91 821 2402301 / 2402307 Fax : +91 821 2403058

E-mail : advcaps@gmail.com/enquiries@advancecapacitors.com

Website: www.advance-capacitors.com

METALLISED POLYPROPYLENE CAPACITORS – TYPE :MKP-5



DIMENSIONS : (in mm)

CAP μF	63 / 100 / 250 VDC		400VDC		630 VDC		1000 VDC	
	D	L	D	L	D	L	D	L
0.00047							6.0	11.5
0.00082							6.0	11.5
0.0010							6.0	11.5
0.0022							6.0	11.5
0.0033							6.0	11.5
0.0047							6.0	11.5
0.0068							6.0	11.5
0.0100			6.0	11.5	6.0	11.5	6.0	20.5
0.0150			6.0	11.5	6.0	11.5	6.5	20.5
0.0220			6.0	11.5	7.0	11.5	7.0	20.5
0.0330			6.5	16.5	9.0	16.5	8.5	20.5
0.0470	6.0	11.5	7.5	16.5	7.0	20.5	10.0	20.5
0.0680	6.5	11.5	8.5	16.5	8.0	20.5	10.0	28.5
0.1000	7.5	11.5	8.0	20.5	9.5	20.5	11.0	28.5
0.1500	7.5	20.5	9.5	20.5	11.0	20.5	13.0	28.5
0.2200	8.5	20.5	11.0	20.5	11.0	28.5	14.0	34.0
0.3300	10.5	20.5	11.0	28.5	12.5	28.5	18.0	34.0
0.4700	12.0	20.5	12.0	28.5	13.0	34.0		
0.6800	13.0	20.5	13.0	34.0	16.0	34.0		
1.0000	15.0	20.5	15.5	34.0	19.0	34.0		
1.5000	12.0	34.0	16.0	45.0	20.0	45.0		
2.2000	14.0	34.0	20.0	45.0	24.0	45.0		
3.3000	16.5	34.0	24.0	45.0	28.0	45.0		
4.7000	20.0	34.0	27.0	45.0	34.0	45.0		
10.000	28.0	34.0						

Note: Other values available on request
Close Tolerance (1%) sizes will be quoted on request

Advance Components & Instruments Pvt. Limited

Reg. Office & Factory : 3A Belawadi Industrial Area, Mysore – 570 018

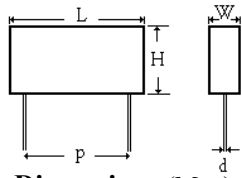
Phone: +91 821 2402301 / 2402307 Fax : +91 821 2403058

E-mail : advcaps@gmail.com / enquiries@advancecapacitors.com

Website: www.advance-capacitors.com

METALLISED POLYPROPYLENE CAPACITORS – TYPE:MKP-4

Type MKP-4 Rectangular, Plastic Case/Epoxy Fill, Radial lead



These capacitors are rectangular in shape and are provided with radial leads for easy PCB mounting and a high packaging density. These are encased in flame retardant Nylon or PBT cases and completely potted in epoxy to provide superior moisture, shock and vibration protection.

Dimensions (Max) in mm

Case Size	W	L	H	C	d	Case Size	W	L	H	C	d
A1	4.0	10.5	9.0	7.5	0.6	C7	8.0	18.0	15.0	15.2	0.8
A2	5.0	10.5	11.0	7.5	0.6	D2	8.5	26.5	17.0	22.5	0.8
A3	6.0	10.5	12.0	7.5	0.6	D3	10.0	26.5	18.5	22.5	0.8
B1	4.0	13.0	9.0	10.2	0.6	E1	11.0	32.0	20.0	27.5	0.8
B2	5.0	13.0	11.0	10.2	0.6	E2	15.5	32.0	24.5	27.5	0.8
B3	6.0	13.0	12.0	10.2	0.6	F1	17.0	41.5	29.0	37.5	0.8
B4	6.8	13.0	13.0	10.2	0.6	F2	14.0	44.0	24.0	37.5	0.8
C1	5.0	18.0	11.0	15.2	0.6	I1	19.0	43.5	36.0	40.0	0.8
C2	5.5	18.0	11.0	15.2	0.6	I2	24.0	48.0	38.0	40.0	0.8
C3	6.0	18.0	12.0	15.2	0.6	I3	30.0	44.0	44.0	40.0	0.8
C5	7.0	18.0	14.0	15.2	0.6	I4	43.0	54.0	50.0	40.0	0.8
C6	7.5	18.5	13.5	15.2	0.6						

Voltage	63V	100V	160V	250V	400V	630V	1000V
Value	Case Size	Case Size	Case Size	Case Size	Case Size	Case Size	Case Size
0.0010	A1/B1	A1/B1	A1/B1	A1/B1	A1/B1	A1/B1	A1/B1
0.0022	A2/B2	A2/B2	A2/B2	A2/B2	A2/B2	A2/B2	A2/B2
0.0033	A2/B2	A2/B2	A2/B2	A2/B2	A2/B2	A2/B2	A2/B2
0.0047	A2/B2	A2/B2	A2/B2	A2/B2	A2/B2	A2/B2	A3/B3
0.0068	A3/B3	A3/B3	A3/B3	A3/B3	A3/B3	A3/B3	A3/B3
0.0100	A2/B2	A2/B2	A2/B2	A2/B2	A2/B2	C1	C3
0.0150	A3/B3	A3/B3	A3/B3	A3/B3	A3/B3	C3	C3
0.0220	A3/B3	A3/B3	A3/B3	A3/B3	A3/B3	C3	C5
0.0330	A3	A3	A3	A3	A3	C5	C6
0.0470	A3	A3	A3	A3	C1	C5	D2
0.0680	A3	A3	A3	A3	C3	C6	D2
0.1	C5	C5	C5	C5	C5	C7	D3
0.1500	C5	C5	C5	C5	C6	D2	D3
0.2200	C5	C5	C5	C5	C7	D3	E1
0.33	C6	C6	C6	C6	D3	D3	E1
0.47	E1	E1	E1	E1	D3	D3	E2
0.68	E1	E1	E1	E1	I1	I1	E2
1	E1	E1	E1	E1	F1	F1	-
1.5	E1	E1	E1	E1	F1	F1	-
2.2	E2	E2	E2	E2	F1	I1	-
3.3	E2	E2	E2	E2	I1	I2	-
4.7	I1	I1	I1	I1	I2	I3	-
6.8	I2	I2	I2	I2	I3	I4	-
10	I3	I3	I3	I3	I4	-	-
15	I3	I3	I3	I3	I4	-	-
22	I4	I4	I4	I4	-	-	-

Advance Components & Instruments Pvt. Limited

Reg. Office & Factory : 3A Belawadi Industrial Area, Mysore – 570 018

Phone: +91 821 2402301 / 2402307

Fax : +91 821 2403058

E-mail : advcaps@gmail.com / enquiries@advancecapacitors.com

Website: www.advance-capacitors.com