



**ADVANCE COMPONENTS
AND INSTRUMENTS PVT. LTD.**

Manufacturers of PLASTIC FILM CAPACITORS

Registered Office & Factory:

3A-3A/1, Belavadi Indl. Area, Mysore-570 018. INDIA ISO 9001:2008



Phone : +91 821 2402307, 2402301

Fax : +91 821 2403058

E-mail : enquiries@advancecapacitors.com

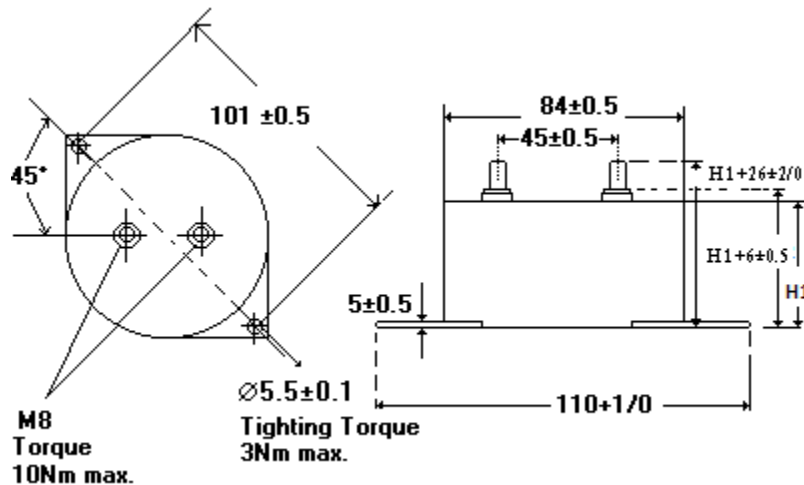
advcaps@gmail.com

Website: www.advance-capacitors.com

ADVANCE DC LINK Capacitors

Advance medium power film capacitors are specifically designed for DC filtering, low reactive power.

Dimensional Drawing (in mm)



Capacitance / Voltage (V _n)	H1 in mm	Capacitance / Voltage (V _n)	H1 in mm
100μF 500Vdc	40±1.0	66μF, 100μF 1000Vdc	64±1.0
150μF 500Vdc	51±1.0	75μF 1100Vdc	64±1.0
100μF 600Vdc	51±1.0	35μF 1200Vdc	51±1.0
200μF 500Vdc	64±1.0	50μF 1200Vdc	64±1.0
50μF, 60μF, 66μF, 70μF 800Vdc	40±1.0	18μF 1500Vdc	40±1.0
100μF 800Vdc	51±1.0	25μF 1500Vdc	51±1.0
50μF 1000Vdc	51±1.0	10μF 1800Vdc	40±1.0

Technical Details :

Tolerance	: ±10%
Irms max	: 100 A
Dielectric	: Metallised Segmented Polypropylene film
Casing	: Plastic case (self-extinguishing FR grade, optional) filled with Thermosetting epoxy resin UL94V0
Terminals (2)	: Tin plated M8 Brass Screw Max. torque 10Nm
Test voltage between terminals(10s)	: 1.3* V _n dc
Insulation withstanding voltage between shorted terminals & body	: 4k V _{rms}
Temperature Range	: -40 °C to +85°C
Climatic Category	: 40/85/21
Marking	: ADVANCE Value, Tolerance Voltage, Current Part Code Mysore – India